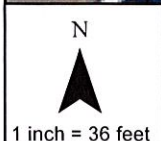
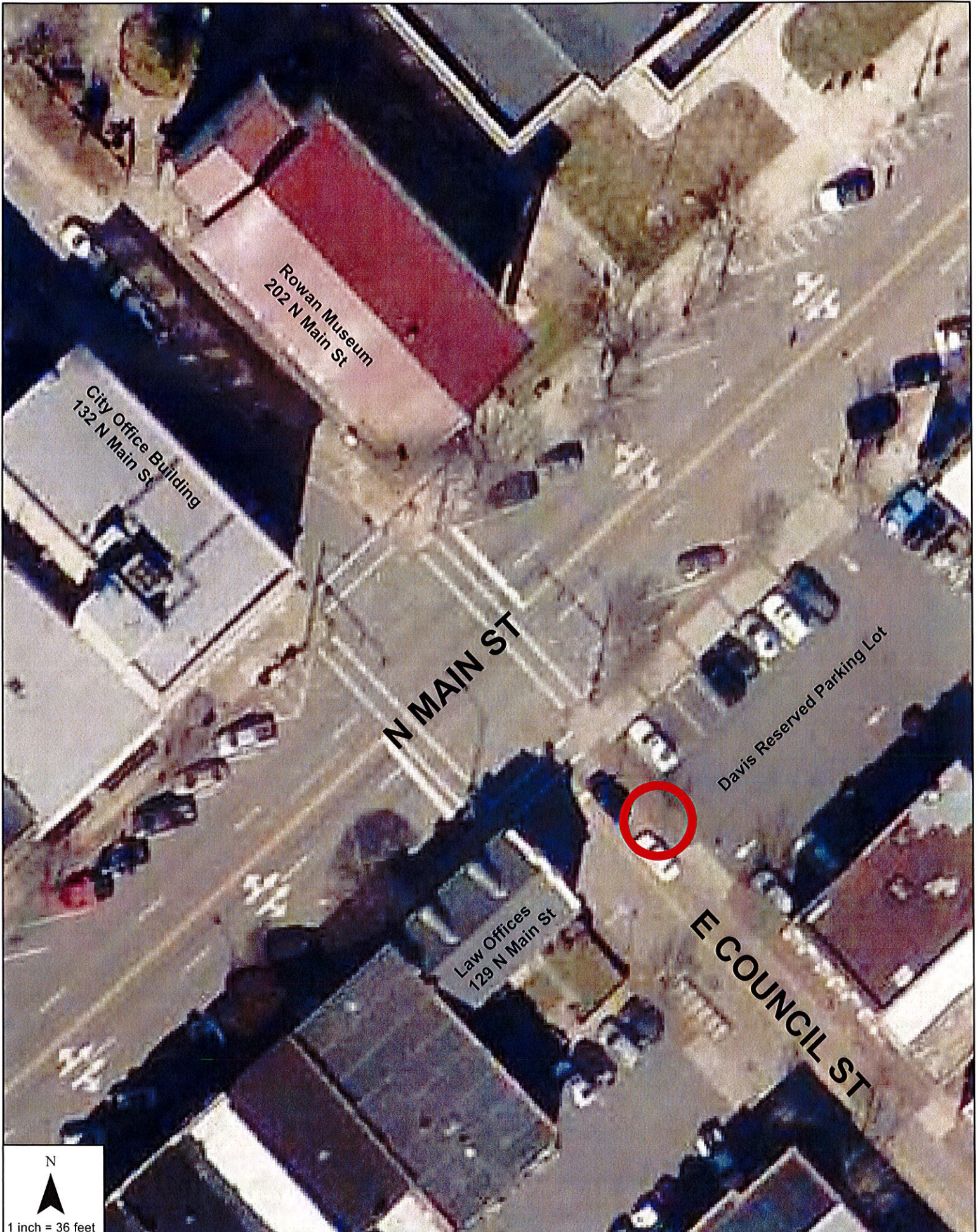
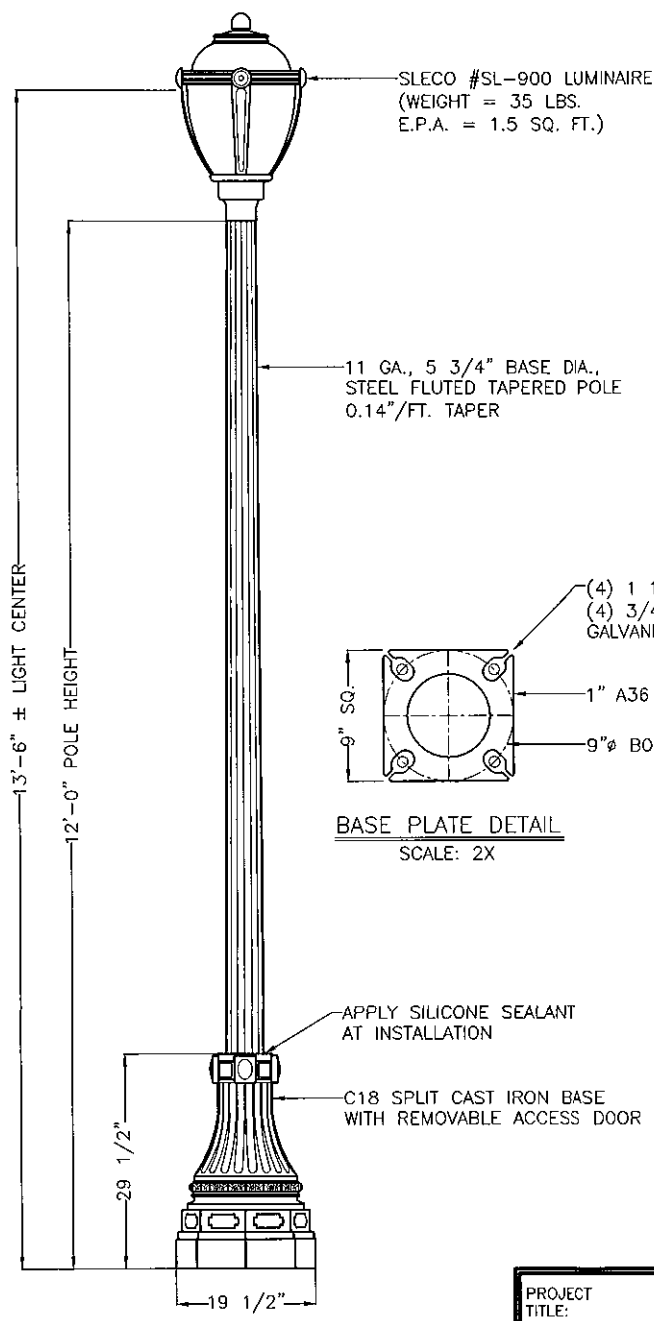


# Street Light Location

Notice: Red circle indicates area where street light is missing.




**PAINT SPECIFICATION**  
 ALL CAST IRON AND STEEL LIGHT POLE PARTS ARE TO BE FACTORY FINISH PAINTED "TO MATCH RAL #6012".



**BASE PLATE DETAIL**  
 SCALE: 2X

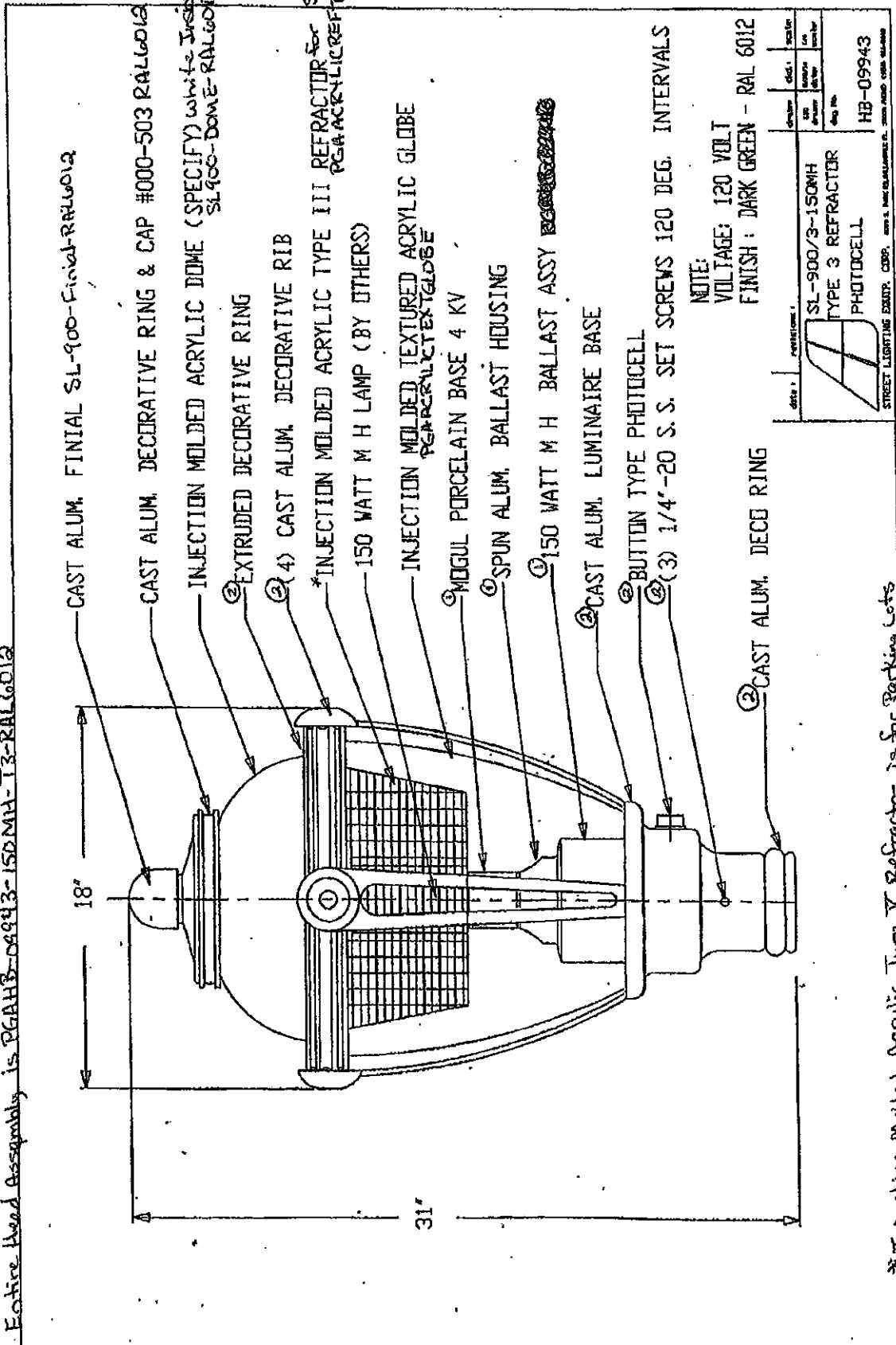
**POLE LESS LUMINAIRE**  
 WEIGHT = 285 LBS.  
 E.P.A. = 5.83 SQ. FT.

VI-C18-1-F/12'

PROJECT TITLE: SALISBURY, NORTH CAROLINA		
DISTRIBUTOR:		
CONTRACTOR:		
REPRESENTATIVE: PETER N. GLASS & ASSOCIATES, INC.		
	SPECIFIED BY:	
	SCALE: FULL	DATE: 6/1/17
	JOB NO.:	CAD FILE: SALISBURY-13E
29579 AHGREY LANE, EUGENE, OREGON 97402 PHONE (541) 688-7741 FAX (541) 461-0951		

Reflector Type

Entire Head Assembly is PGARB-09943-150MH-T3-RAL6012



CAST ALUM. FINIAL SL-900-Finial-RAL6012

CAST ALUM. DECORATIVE RING & CAP #000-503 RAL6012

INJECTION MOLDED ACRYLIC DOME (SPECIFY WHITE IRISIDE SL900-DOME-RAL6012)

EXTRUDED DECORATIVE RING

4) CAST ALUM. DECORATIVE RIB

INJECTION MOLDED ACRYLIC TYPE III REFRACTOR FOR PARACRYLIC REFLECTORS

150 WATT M H LAMP (BY OTHERS)

INJECTION MOLDED TEXTURED ACRYLIC GLOBE  
PARACRYLIC REFLECTOR

MOGUL PORCELAIN BASE 4 KV

SPUN ALUM. BALLAST HOUSING

150 WATT M H BALLAST ASSY

CAST ALUM. LUMINAIRE BASE

BUTTON TYPE PHOTOCELL

3) 1/4"-20 S.S. SET SCREWS 120 DEG. INTERVALS

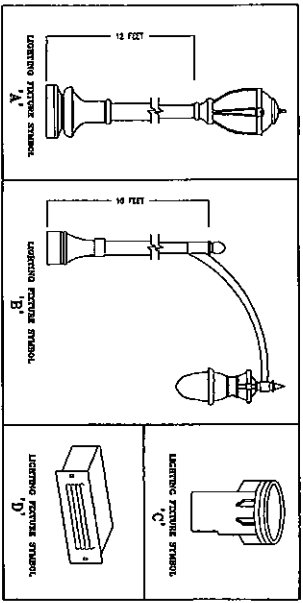
CAST ALUM. DECO RING

\* Injection Moulded Acrylic Type V Reflector is for Parking Lots  
PARACRYLIC REFLECTORS

PGARB-39943 BALLAST ASSEMBLY

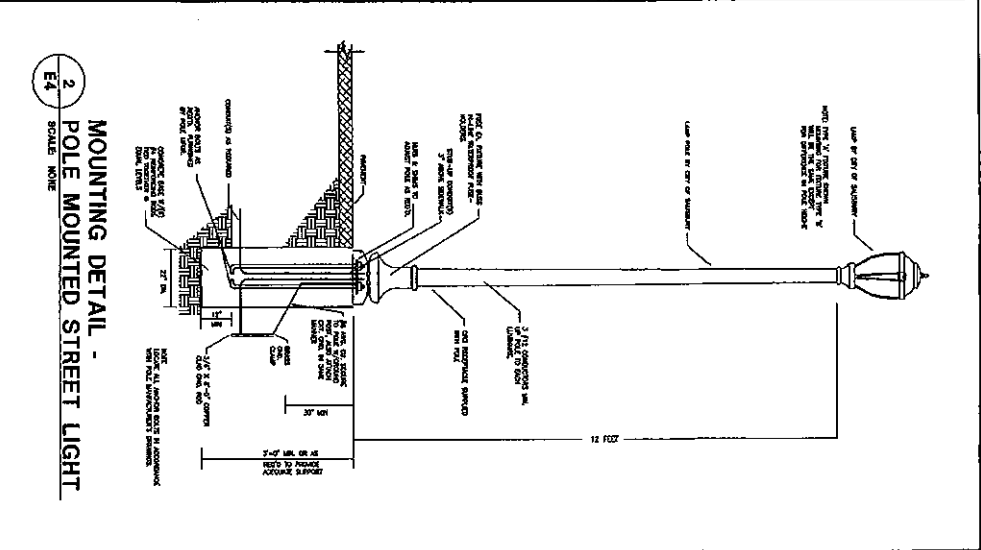
PGARB-39943/POD/HOUSING RAL6012

2024 E.A. 10/11/24  
 10/11/24  
 10/11/24  
 10/11/24

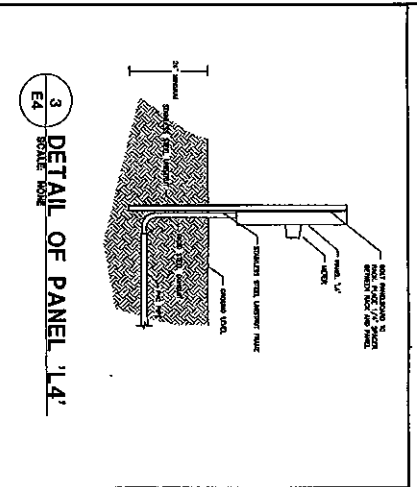


SYM	TYPE	CHANCE F	TYPE	BULB	WATTAGE	WATTAGE	DESCRIPTION
A	STANDARD	1	120 W. HALOGEN	1	120 WATT	120 WATT	STANDARD STREET LIGHT FIXTURE WITH 120 WATT HALOGEN BULB.
B	STANDARD	1	120 W. HALOGEN	1	120 WATT	120 WATT	STANDARD STREET LIGHT FIXTURE WITH 120 WATT HALOGEN BULB.
C	STANDARD	1	120 W. HALOGEN	1	120 WATT	120 WATT	STANDARD STREET LIGHT FIXTURE WITH 120 WATT HALOGEN BULB.
D	STANDARD	1	120 W. HALOGEN	1	120 WATT	120 WATT	STANDARD STREET LIGHT FIXTURE WITH 120 WATT HALOGEN BULB.

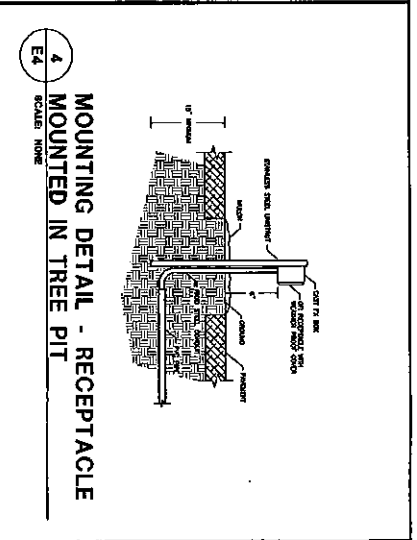
1 LIGHT FIXTURE SCHEDULE & ILLUSTRATION  
 SCALE NONE



2 MOUNTING DETAIL - POLE MOUNTED STREET LIGHT  
 SCALE NONE



3 DETAIL OF PANEL '14'  
 SCALE NONE



4 MOUNTING DETAIL - RECEPTACLE MOUNTED IN TREE PIT  
 SCALE NONE

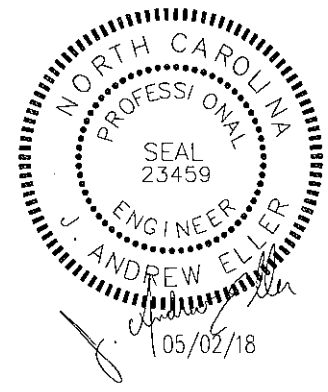
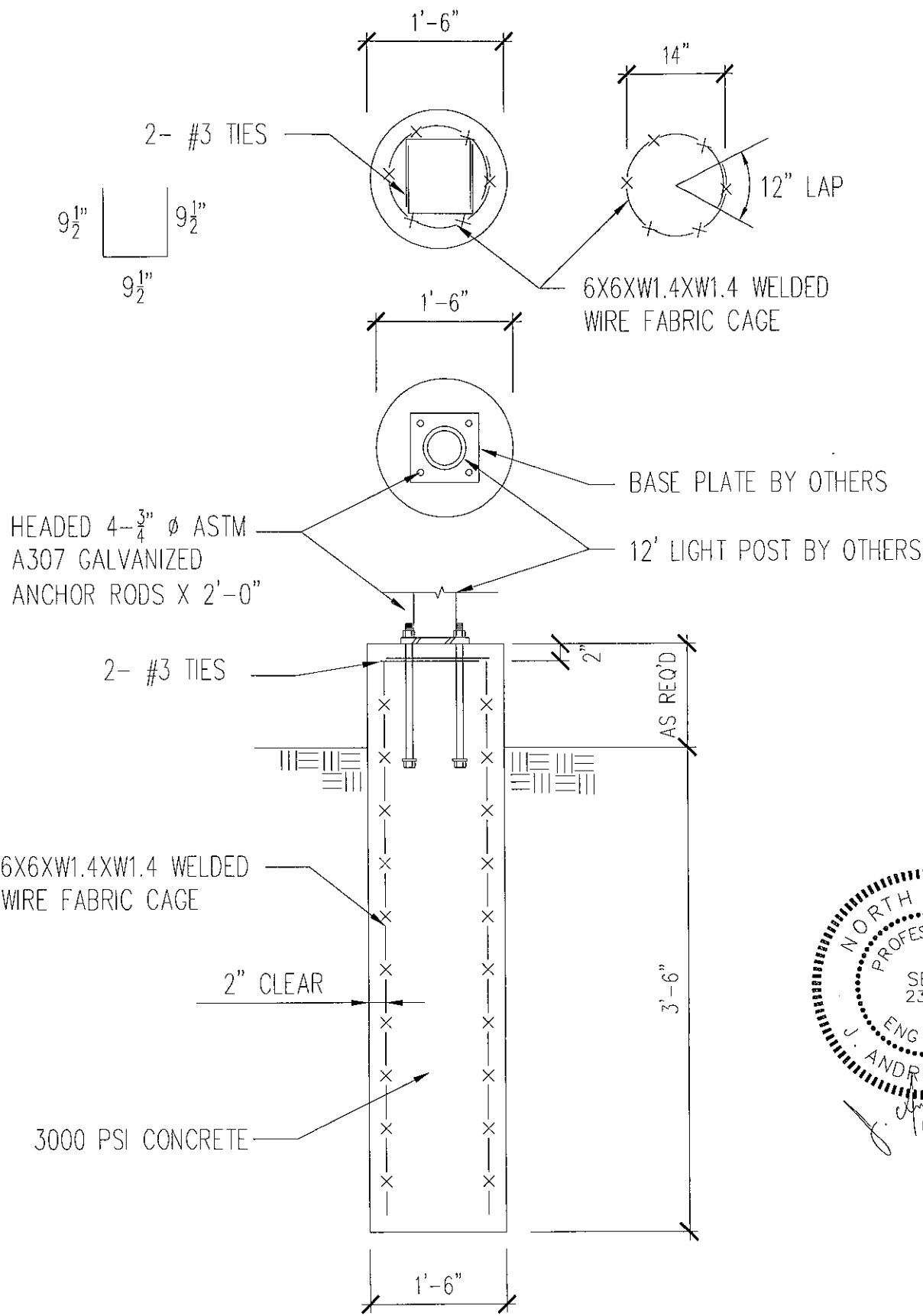
DOWNTOWN PARKING LOTS - DETAILS

NO.	DATE	BY	DESCRIPTION

CITY OF SALISBURY  
 COMMUNITY PLANNING SERVICES  
 111 SOUTH BROAD STREET, SALISBURY, NC 28144



DOWNTOWN PARKING LOTS - DETAILS  
 CITY OF SALISBURY  
 DOWNTOWN PARKING LOT IMPROVEMENTS



05/02/18  
 12' LIGHT POLE BASE  
 SALISBURY, NC

1 LIGHT POLE FOOTING