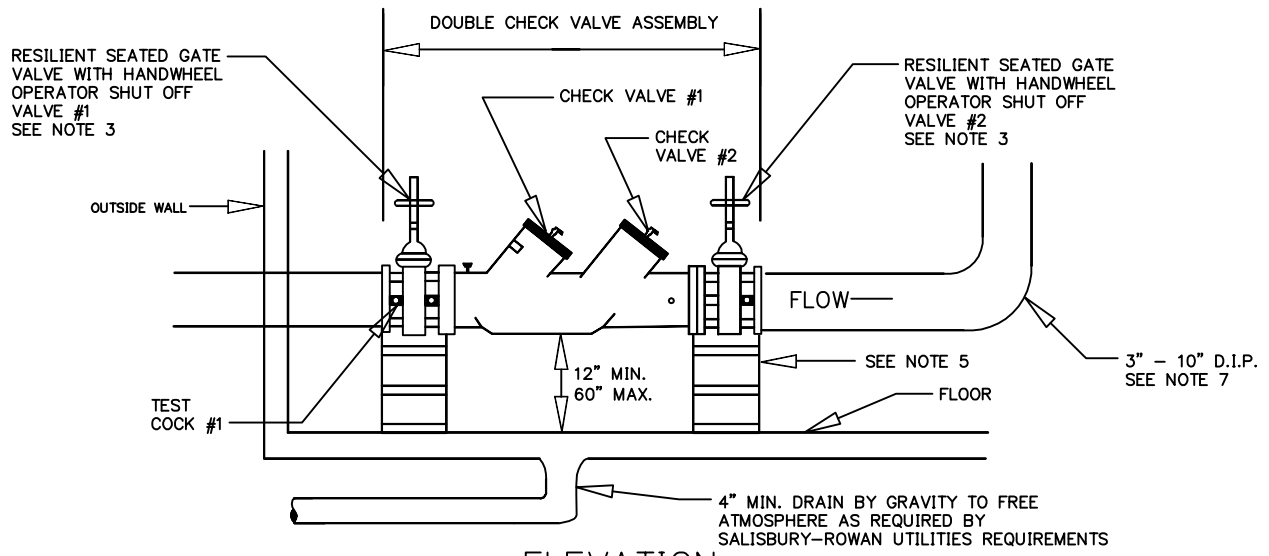
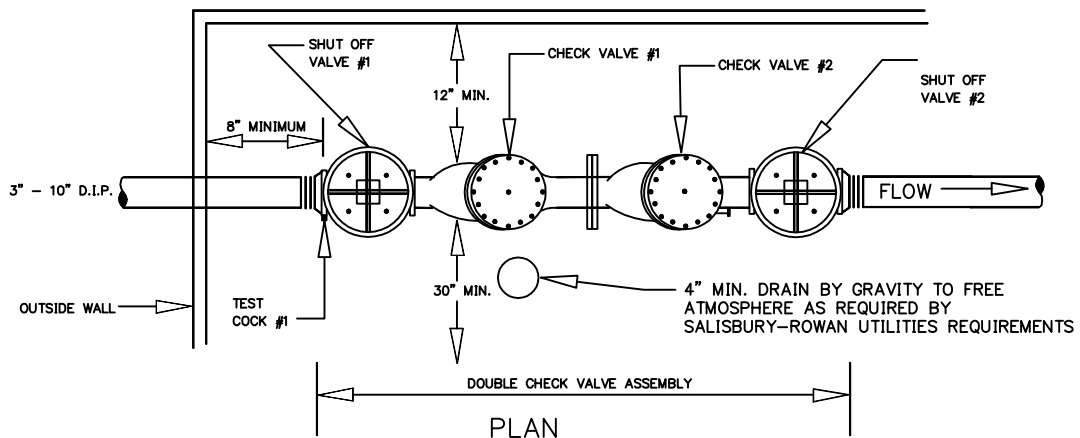


DOUBLE CHECK VALVE ASSEMBLY (DCVA) (3" - 10") INDOOR



ELEVATION



PLAN

NOTES:

1. DCVA MUST CONFORM TO SALISBURY-ROWAN UTILITIES SPECIFICATIONS.
2. (BACKFLOW ASSEMBLY MUST BE INSTALLED BEFORE SERVICE LINE IS CONNECTED TO ANY OTHER PIPES, EXCEPT AS AUTHORIZED BY THE WATER PURVEYOR.) WATER LINE MUST BE EXPOSED FOR INSPECTION FROM METER TO BACKFLOW PREVENTER.
3. SALISBURY-ROWAN APPROVED DCVA INCLUDES SHUT OFF VALVES #1 AND #2 AS PART OF THE ASSEMBLY. NO SUBSTITUTIONS SHALL BE PERMITTED.
4. TEST COCK #1 SHALL BE UPSTREAM OF SHUT OFF VALVE #1 AND IS PART OF THE APPROVED ASSEMBLY.
5. SUPPORT OF 3" - 10" DCVA SHALL BE DESIGNED BY OWNER.
6. INDOOR INSTALLATION SHALL BE PERMITTED IN CASES WHERE ADEQUATE SPACE IS NOT AVAILABLE OUTSIDE. SALISBURY-ROWAN UTILITIES WILL REVIEW ON A CASE BY CASE BASIS.
7. ALL PIPE 3" - 10" SHALL BE DIP FROM THE TAP AT THE MAIN TO 5' PAST SHUT OFF VALVE #2.
8. RESTRAINED JOINTS SHALL BE WITH MEGA LUG RESTRAINTS OR APPROVED EQUAL.

CITY OF SALISBURY, N.C.	STANDARD DETAIL	DATE:	OCTOBER 17, 2006
		AMENDED:	FEBRUARY 3, 2009
STANDARD DETAIL BACKFLOW PREVENTION 3" - 10" DCVA INDOOR		NOT TO SCALE	
		STANDARD	BF-10