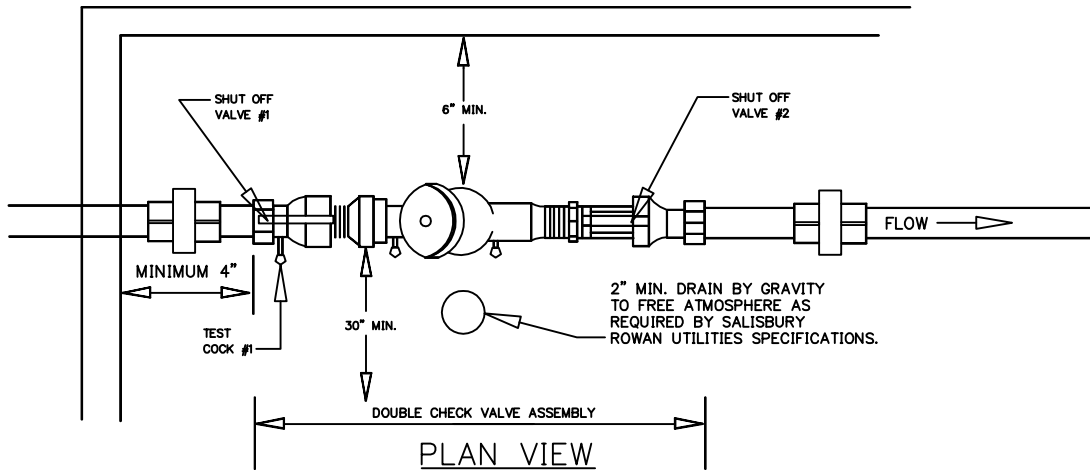
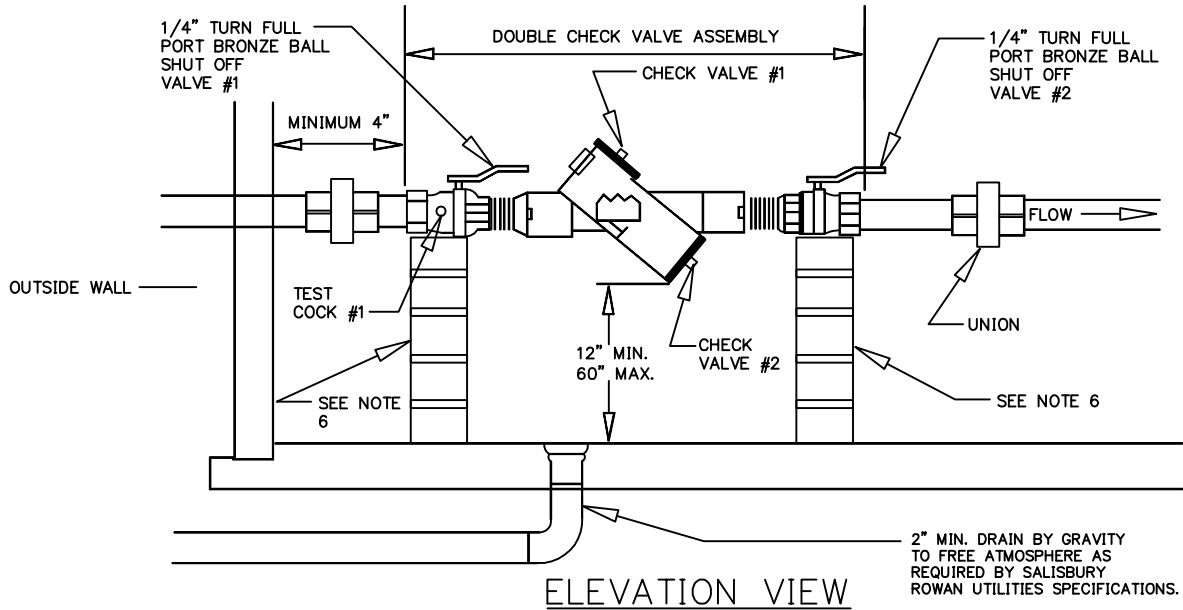


DOUBLE CHECK VALVE ASSEMBLY (DCVA) (3/4" - 2") INDOOR



NOTES:

1. DCVA MUST CONFORM TO SALISBURY-ROWAN UTILITIES SPECIFICATIONS FOR BACKFLOW PREVENTION ASSEMBLIES 3/4" - 2".
2. (BACKFLOW ASSEMBLY MUST BE INSTALLED BEFORE SERVICE LINE IS CONNECTED TO ANY OTHER PIPES, EXCEPT AS AUTHORIZED BY THE WATER PURVEYOR.) WATER LINE MUST BE EXPOSED FOR INSPECTION FROM METER TO BACKFLOW PREVENTER.
3. SALISBURY-ROWAN APPROVED DCVA INCLUDES SHUT OFF VALVES #1 AND #2 AS PART OF THE ASSEMBLY. NO SUBSTITUTIONS SHALL BE PERMITTED.
4. TEST COCK #1 SHALL BE UPSTREAM OF SHUT OFF VALVE #1 AND IS PART OF THE ASSEMBLY.
5. INDOOR INSTALLATION SHALL ONLY BE PERMITTED IN CASES WHERE ADEQUATE SPACE FOR THE BACKFLOW PREVENTION DEVICE IS NOT AVAILABLE OUTSIDE. SALISBURY-ROWAN UTILITIES WILL REVIEW ON A CASE BY CASE BASIS.
6. SUPPORT OF BACKFLOW PREVENTION ASSEMBLY SHALL BE DESIGNED BY OWNER AS REQUIRED.

CITY OF SALISBURY, N.C. STANDARD DETAIL	DATE: OCTOBER 17, 2006 AMENDED: FEBRUARY 3, 2009
STANDARD DETAIL BACKFLOW PREVENTION 3/4" - 2" DCVA INDOOR	NOT TO SCALE STANDARD BF-5