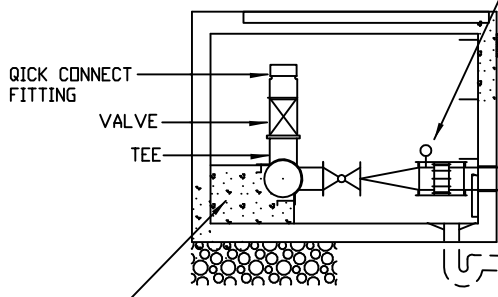


PUMP OUT CONNECTION (TEE - WITH VALVE AND QUICK CONNECT FITTING). PUMP OUT CONNECTION SHALL BE SAME SIZE AS FORCE MAIN.

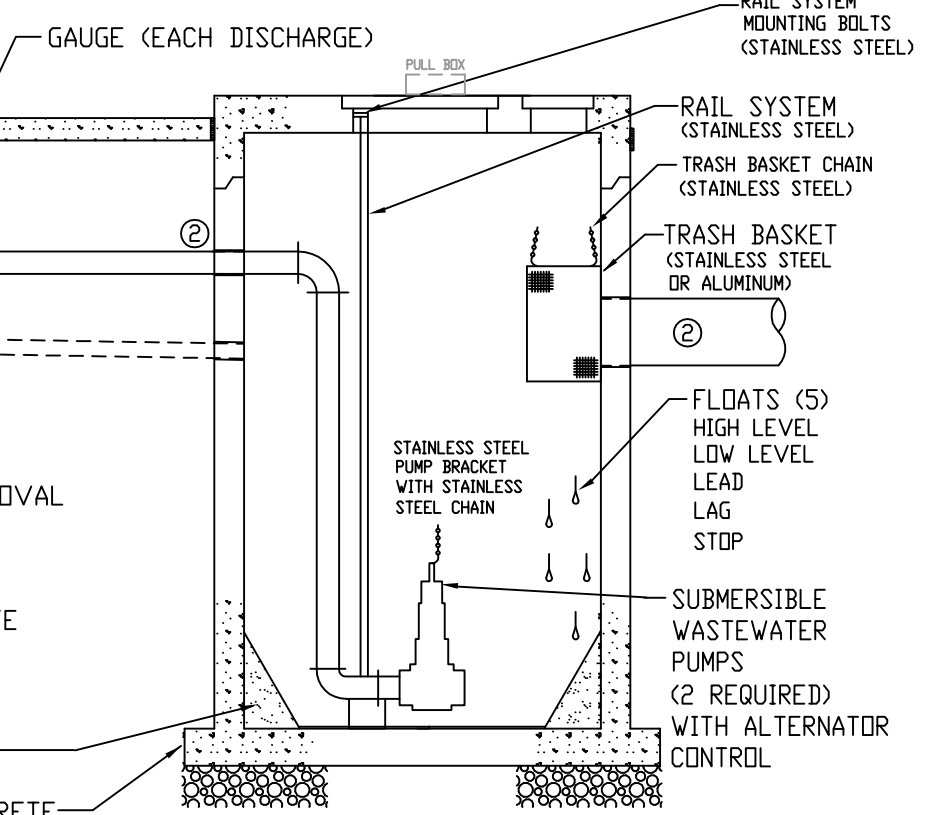


NOTES:

- ① HOIST SHALL BE LOCATED AS TO ALLOW EASY ACCESS & REMOVAL OF MOTORS & TRASH BASKET
- ② INLET PIPE & OUTLET PIPE SHALL BE LOCATED ON OPPOSITE SIDES (AT 180 DEGREES)

GROUT BOTTOM PER MANUFACTURER'S RECOMMENDATIONS

PRECAST CONCRETE MANHOLE - 5' MINIMUM DIAMETER



CITY OF SALISBURY, N.C. STANDARD DETAIL		DATE: OCTOBER 17, 2006	
SEWER STANDARDS LIFT STATION		NOT TO SCALE	
		STANDARD	SS-9