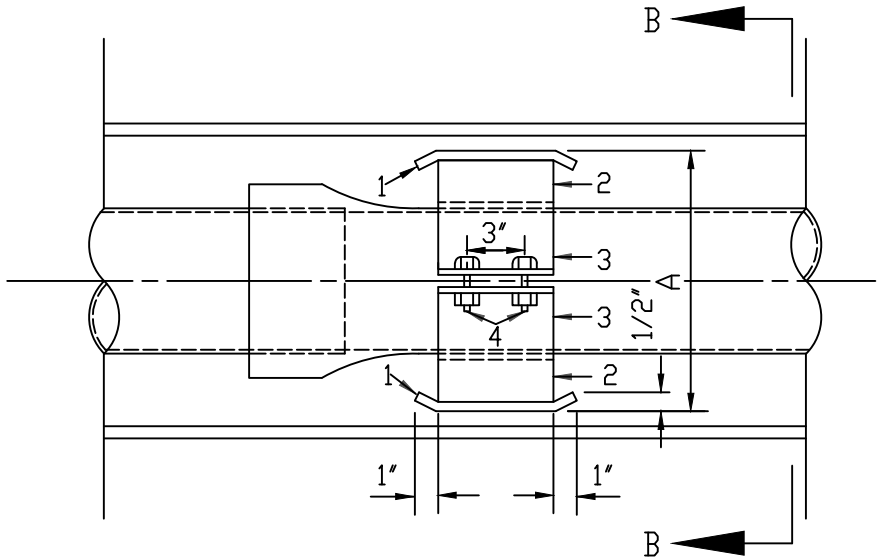


SECTION A-A



SECTION B-B

CARRIER PIPE		CASING PIPE			PIPE SUPPORT ASSEMBLY MARK NUMBERS				DIMENSIONS		
		OD	HWY	R/R	1	2	3	4	A	B	C
4"	4.80"	12.75"	0.188"	0.250"	8' x 2' x 1/4'	6' x 1 1/2' x 1/4'	6' x 1/4'	3/8"	10.90"	1 3/4"	3/4"
6"	6.90"	12.75"	0.188"	0.250"	8' x 2' x 1/4'	6' x 1 1/2' x 1/4'	6' x 1/4'	3/8"	10.90"	1 3/4"	3/4"
8"	9.05"	16.00"	0.250"	0.281"	8' x 2' x 1/4'	6' x 2' x 1/4'	6' x 1/4'	3/8"	14.05"	1 3/4"	3/4"
10"	11.10"	18.00"	0.250"		8' x 2' x 1/4'	6' x 2' x 1/4'	6' x 1/4'	3/8"	16.10"	1 3/4"	3/4"
12"	13.20"	20.00"	0.250"	0.344"	8' x 2' x 1/4'	6' x 1 3/4' x 1/4'	6' x 1/4'	3/8"	17.70"	1 3/4"	3/4"
14"	15.20"	24.00"	0.250"		8' x 3' x 1/4'	6 x 2 3/4' x 1/4'	6' x 1/4'	3/8"	21.80"	2 1/4"	1 1/4"
16"	17.40"	30.00"	0.312"	0.469"	8' x 3' x 3/8'	6' x 4 1/4' x 3/8'	6' x 3/8'	1/2"	27.40"	3'	1 3/8"
18"	19.50"	30.00"	0.312"		8' x 3' x 3/8'	6' x 3 1/4' x 3/8'	6' x 3/8'	1/2"	27.50"	3'	1 3/8"
20"	21.60"	30.00"	0.312"		8' x 3' x 3/8'	6' x 2 1/4' x 1/2'	6' x 3/8'	1/2"	27.60"	3'	1 3/8"
24"	25.80"	36.00"	0.375"		8' x 4' x 3/8'	6' x 2 3/4' x 1/2'	6' x 1/2'	1/2"	33.05"	3'	1 3/8"
30"	32.00"	42.00"	0.469"		12' x 4' x 3/8'	10' x 2 1/2' x 1/2'	10' x 1/2'	3/4"	38.75"	3'	1 3/8"
36"	38.30"	48.00"	0.500"		12' x 4' x 3/8'	10' x 2 1/2' x 1/2'	10' x 1/2'	3/4"	45.05"	3'	1 3/8"

CITY OF SALISBURY, N.C. STANDARD DETAIL

DATE: JANUARY 1, 1991

PIPELINE INSTALLATION
PIPE SUPPORT ASSEMBLY

NOT TO SCALE

STANDARD

P-6