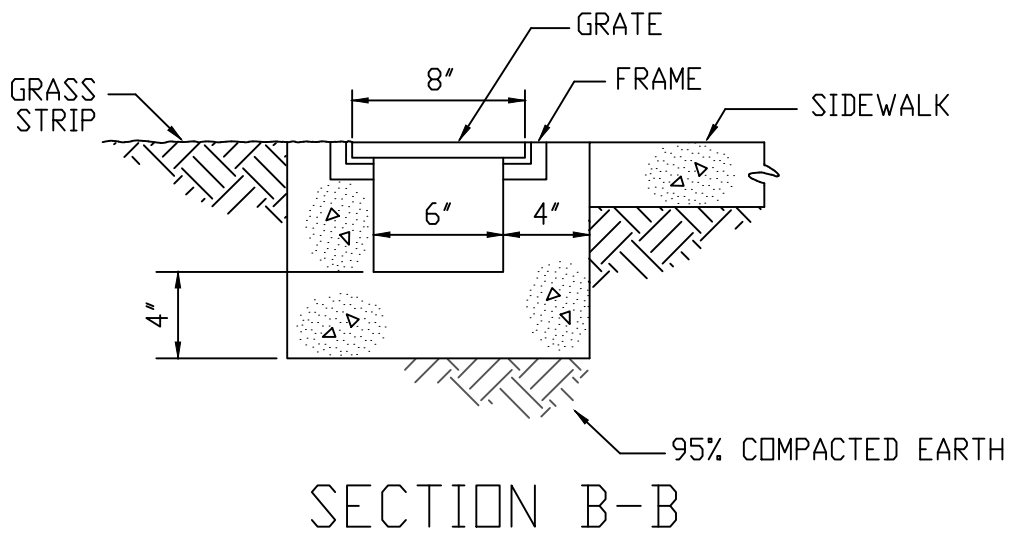


NOTE: NOT FOR USE WITH VALLEY GUTTER



CITY OF SALISBURY, N.C. STANDARD DETAIL

DATE: JANUARY 1, 1991

STORM DRAINAGE
SIDEWALK FLUME

NOT TO SCALE

STANDARD

SD-10