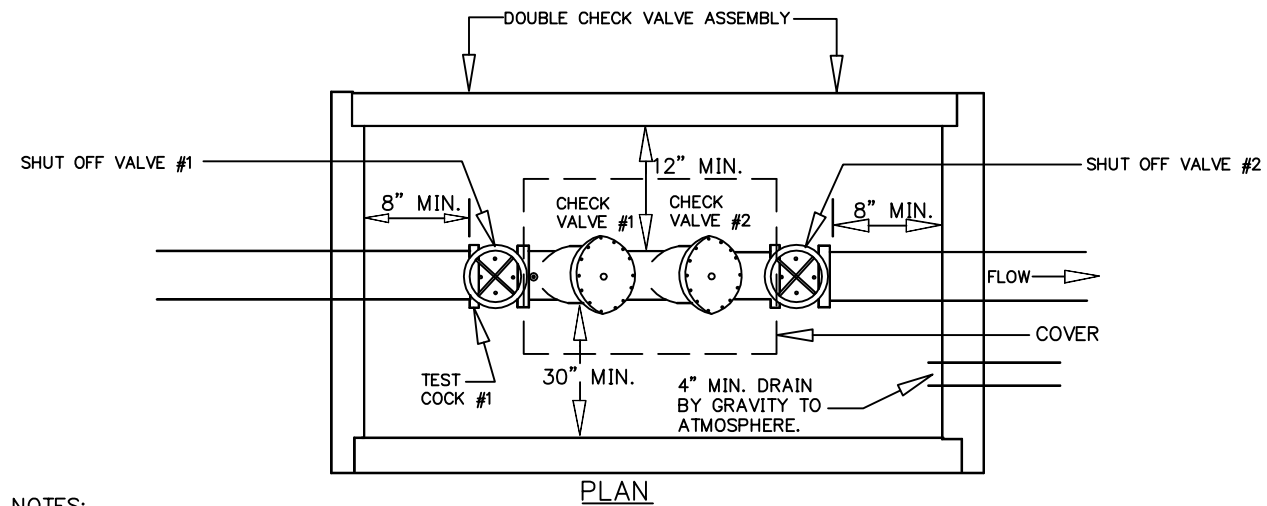
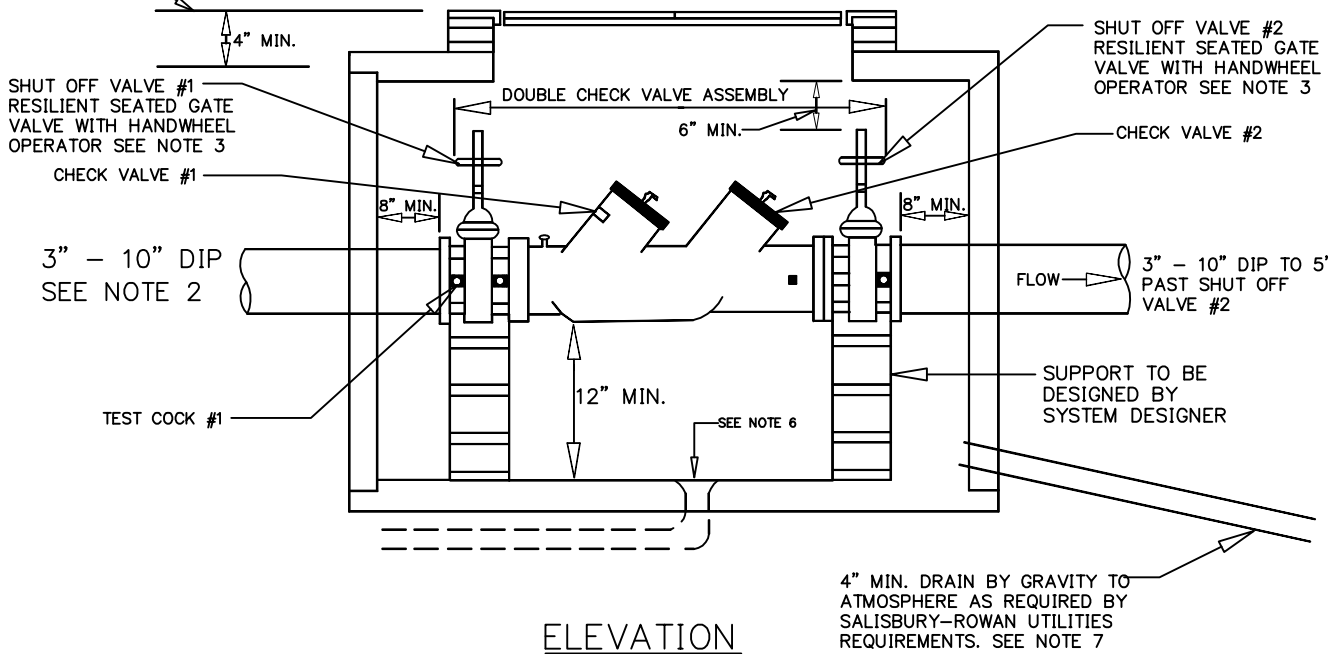


DOUBLE CHECK VALVE ASSEMBLY (DCVA)

3" - 10" VAULT

VAULT SHALL BE
4" MIN.
ABOVE GROUND
SEE NOTE 8



NOTES:

- DCVA'S MUST CONFORM TO SALISBURY-ROWAN UTILITIES SPECIFICATIONS.
- (BACKFLOW ASSEMBLY MUST BE INSTALLED BEFORE SERVICE LINE IS CONNECTED TO ANY OTHER PIPES (EXCEPT AS AUTHORIZED BY THE WATER PURVEYOR.) WATER LINE MUST BE EXPOSED FOR INSPECTION FROM METER TO BACKFLOW PREVENTER.
- SALISBURY-ROWAN UTILITIES APPROVED DCVA INCLUDES SHUT OFF VALVES #1 AND #2 AS PART OF THE UNIT. NO SUBSTITUTIONS SHALL BE PERMITTED. 6" CLEARANCE SHALL BE WITH VALVE OPEN.
- TEST COCK #1 SHALL BE UPSTREAM OF SHUT OFF VALVE #1 AND IS PART OF THE ASSEMBLY.
- VAULT DOORS OR COVERS AND SUPPORT OF ASSEMBLY SHALL BE DESIGNED BY OWNER AS REQUIRED.
- DRAINAGE MAY BE PROVIDED AS SHOWN OR AS FLOOR DRAIN.
- IF DRAINAGE CANNOT BE PROVIDED TO FREE ATMOSPHERE OR STORM DRAINAGE. THE DCVA SHALL BE INSTALLED ABOVE GROUND.
- TOP OF VAULT SHALL BE 4" MINIMUM ABOVE GROUND. IF VAULT IS INSTALLED IN A TRAFFIC AREA AT GRADE LEVEL, THEN H20 TRAFFIC RATED VAULT AND LID SHALL BE INSTALLED. PRIOR APPROVAL IS REQUIRED FROM BACKFLOW ADMINISTRATOR FOR ANY VAULT TO BE LOCATED IN TRAFFIC AREA.

CITY OF SALISBURY, N.C. STANDARD DETAIL

DATE: OCTOBER 17, 2006
AMENDED: FEBRUARY 3, 2009

STANDARD DETAIL BACKFLOW PREVENTION
3" - 10" VAULT

NOT TO SCALE

STANDARD BF-11