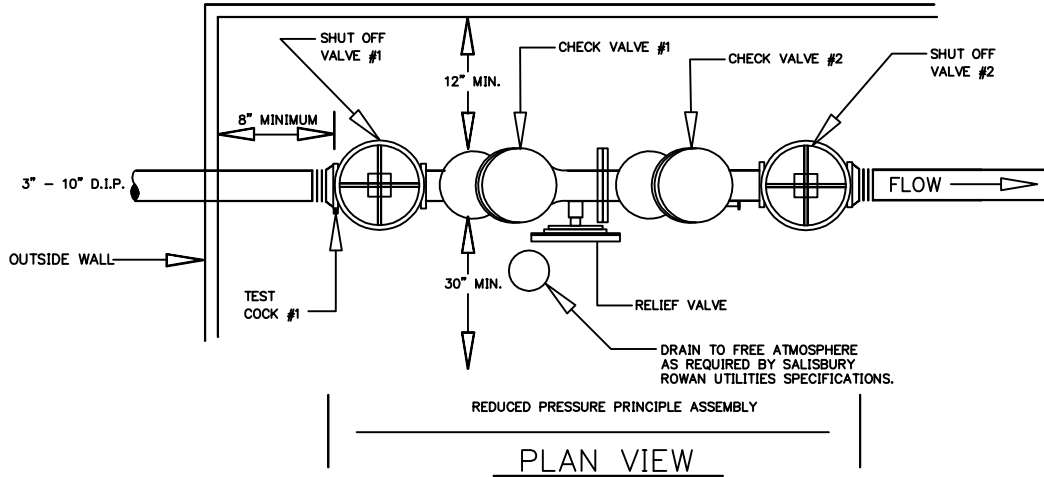
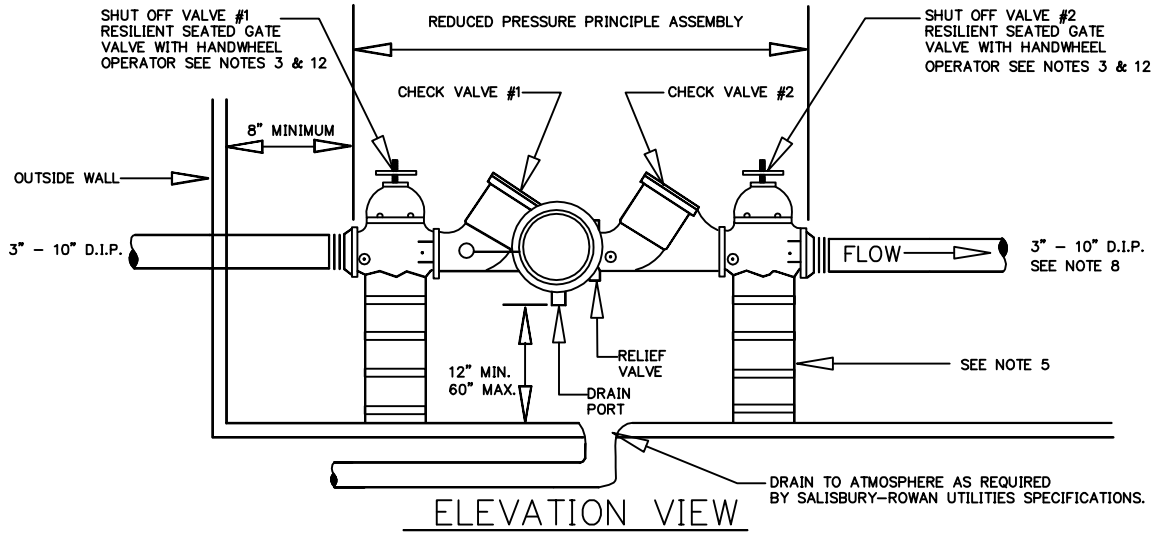


REDUCED PRESSURE PRINCIPLE ASSEMBLY (RP) (3" - 10") INDOOR



NOTES:

1. REDUCED PRESSURE ASSEMBLIES (RP) MUST CONFORM TO SALISBURY-ROWAN UTILITIES SPECIFICATIONS.
2. (BACKFLOW ASSEMBLY MUST BE INSTALLED BEFORE SERVICE LINE IS CONNECTED TO ANY OTHER PIPES, EXCEPT AS AUTHORIZED BY THE WATER PURVEYOR.) WATER LINE MUST BE EXPOSED FOR INSPECTION FROM METER TO BACKFLOW PREVENTER.
3. THE SALISBURY-ROWAN UTILITIES APPROVED 3" - 10" RP INCLUDES SHUT OFF VALVES #1 AND #2. NO SUBSTITUTIONS SHALL BE PERMITTED.
4. TEST COCK #1 SHALL BE UPSTREAM OF SHUT OFF VALVE #1 AND IS PART OF THE APPROVED ASSEMBLY.
5. SUPPORT OF 3" - 10" RP SHALL BE DESIGNED BY THE OWNER. THE SUPPORT SHALL NOT BLOCK RELIEF VALVE OR DRAIN PORT.
6. AN AIR-GAP DRAIN IS RECOMMENDED TO REDUCE SPLASHING OF MINOR DISCHARGE FROM RELIEF VALVE DRAIN PORT.
7. INSIDE INSTALLATIONS SHALL ONLY BE PERMITTED IN CASES WHERE ADEQUATE SPACE FOR THE BACKFLOW PREVENTION ASSEMBLY IS NOT AVAILABLE OUTSIDE. SALISBURY-ROWAN UTILITIES SHALL REVIEW ON A CASE BY CASE BASIS.
8. ALL PIPE 3" - 10" SHALL BE DIP FROM THE TAP AT THE MAIN TO 5' PAST SHUT OFF VALVE #2.
9. A STRAINER IS RECOMMENDED ON THE INLET SIDE TO PREVENT TRASH & DEBRIS FROM FOULING THE RP.
10. RESTRAINED JOINTS SHALL BE WITH MEGA LUG RESTRAINTS, OR APPROVED EQUAL.
11. FIRE LINE BACKFLOW PREVENTION SHALL HAVE TAMPER SWITCHES INSTALLED.
12. FIRE LINE AND COMBINATION OF FIRE AND DOMESTIC INSTALLATION SHALL HAVE OUTSIDE STEM AND YOKE (OS & Y) HANDWHEEL OPERATOR.

CITY OF SALISBURY, N.C. STANDARD DETAIL	DATE: OCTOBER 17, 2006 AMENDED: FEBRUARY 3, 2009
STANDARD DETAIL BACKFLOW PREVENTION RP 3" - 10" INDOOR	NOT TO SCALE STANDARD BF-8