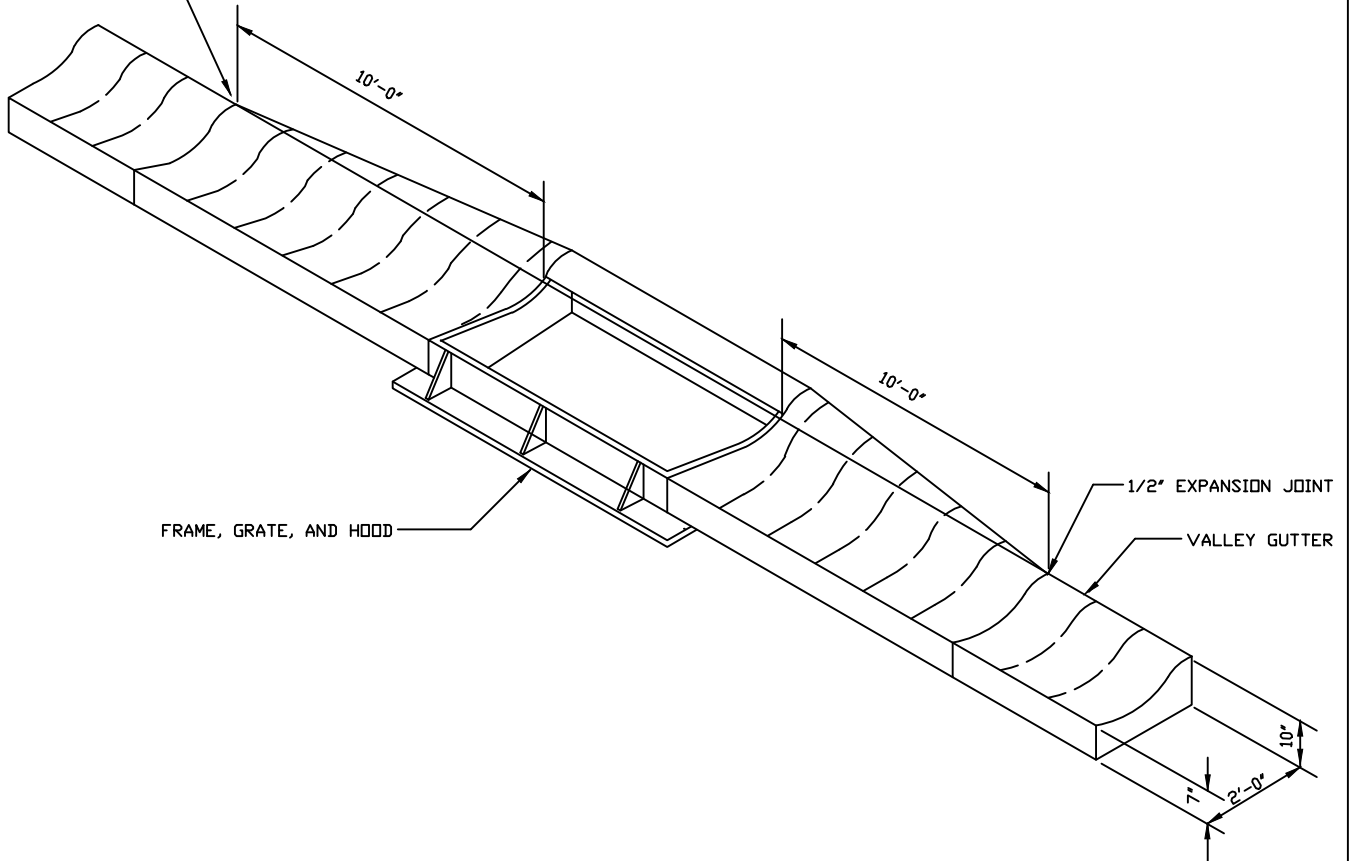


1/2" EXPANSION JOINT



CITY OF SALISBURY, N.C. STANDARD DETAIL

DATE: JANUARY 1, 1991

STORM DRAINAGE  
CATCH BASIN IN VALLEY GUTTER

NOT TO SCALE

STANDARD

SD-8