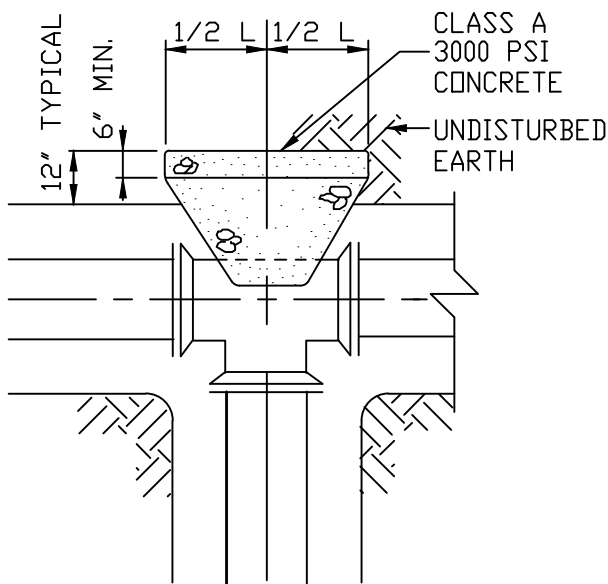


TYPICAL SECTION
TEE OR BEND

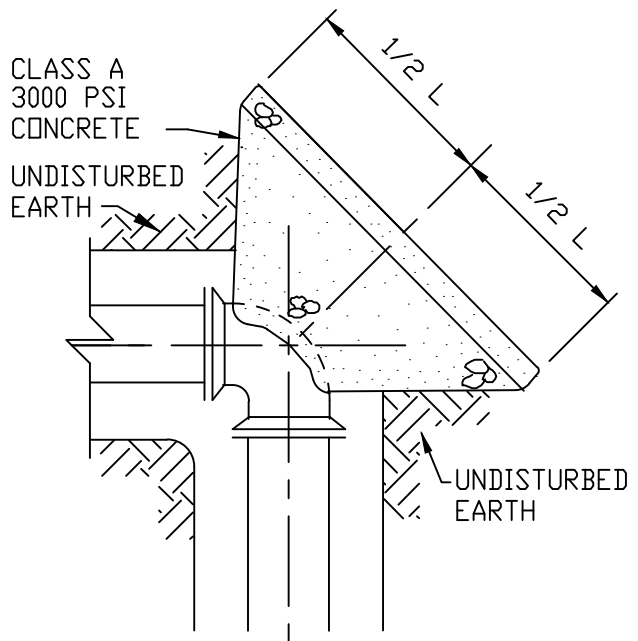
CONCRETE THRUST BLOCK SCHEDULE								
PIPE SIZE INCHES	BEND							
	90 (TEE)		45°		22 1/2°		11 1/4°	
	H	L	H	L	H	L	H	L
2"	.75'	1.5'	.50'	1.0'	.50'	.75'	.50'	.50'
4"	1.5'	3.0'	1.0'	2.5'	1.0'	1.5'	1.0'	1.0'
6"	2.0'	4.0'	1.5'	3.5'	1.0'	3.0'	1.0'	1.5'
8"	2.5'	5.0'	2.5'	4.0'	1.5'	3.5'	1.0'	2.5'
10"	3.0'	6.5'	2.5'	5.0'	2.0'	4.0'	1.0'	3.0'
12"	3.5'	8.0'	3.0'	5.0'	2.5'	5.0'	1.5'	3.5'

* FOR DESIGN PRESSURE=200 PSI

SIZE SCHEDULE



PLAN - TEE



PLAN - BEND

CITY OF SALISBURY, N.C. STANDARD DETAIL

DATE: JANUARY 1, 1991

WATER SYSTEMS
THRUST BLOCKING

NOT TO SCALE

STANDARD W-1