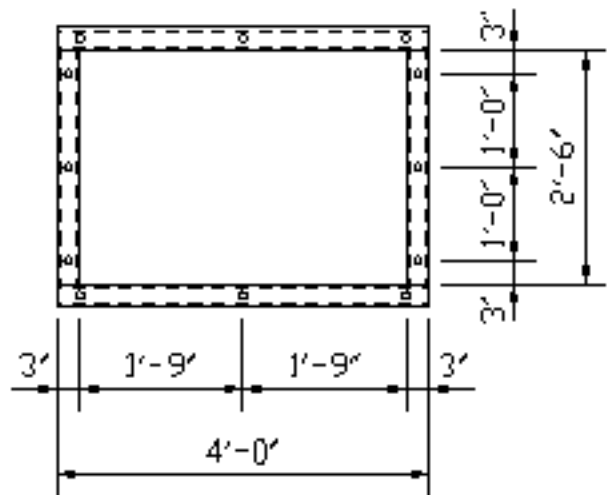
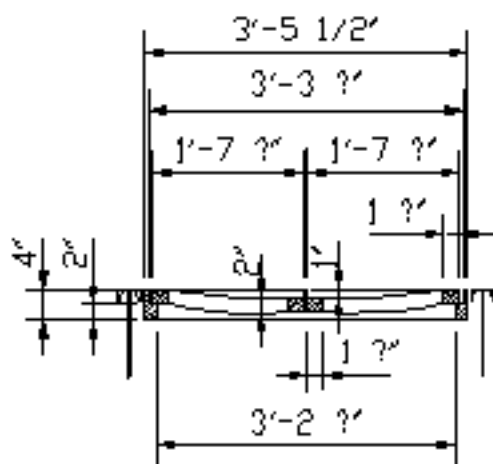


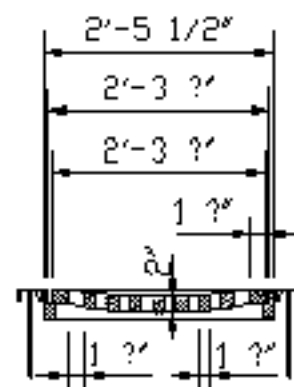
PLAN OF GRATE



PLAN OF 3" C FRAME



SECTION A-A



SECTION B-B

MINIMUM WEIGHTS:  
 FRAME 230 LBS  
 GRATE (EACH) 130 LBS

NOTE:

FRAME AND GRATE ARE HEAVY DUTY CAST IRON DEWEY BROTHERS MODEL CH-BN-4 OR APPROVED EQUAL. SIMILAR FRAMES AND GRATES, DIFFERING IN NON-ESSENTIAL DETAILS MAY BE ACCEPTED.

CITY OF SALISBURY, N.C. STANDARD DETAIL

DATE: JANUARY 1, 1991

STORM DRAINAGE  
 DROP INLET GRATE

NOT TO SCALE

STANDARD

SD-4