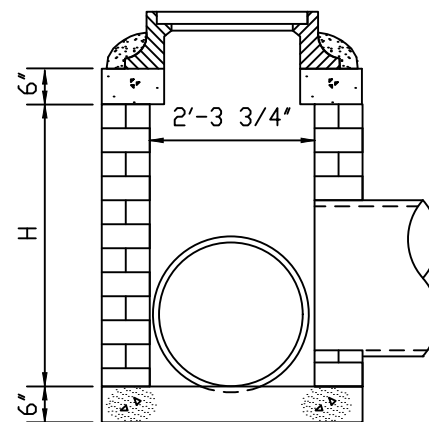


SECTION A-A



SECTION B-B

GENERAL NOTES

1. ALL DROP INLETS OVER 3'-6" IN DEPTH TO BE PROVIDED WITH STEPS 16" ON CENTERS.
2. ALL CONCRETE TO BE 3000 P.S.I.
3. ALL MORTAR JOINTS ARE TO BE 1/2" ± 1/8"
4. JUMBO BRICK WILL BE PERMITTED. CONCRETE BRICK OR 4" SOLID CONCRETE BLOCKS MAY BE USED IN LIEU OF CLAY BRICKS.
5. FOR 8'-0" IN HEIGHT OR LESS USE 8" WALL, OVER 8'-0" IN HEIGHT USE 12" WALL TO 6'-0" FROM TOP OF WALL AND 8" FOR THE REMAINING 6'-0".
6. ALL PIPE IN STORM DRAIN STRUCTURE TO BE STRUCK EVEN WITH INSIDE WALL, GROUTED AND BRUSHED SMOOTH.
7. FRAME AND GRATE BY DEWEY BROTHERS OR APPROVED EQUAL, SEE SD-4.
8. PRECAST BOTTOM AND BARREL ARE PERMITTED.
9. FOR PIPE DIAMETERS LARGER THAN 24", SEE SD-2.

CITY OF SALISBURY, N.C. STANDARD DETAIL

DATE: JANUARY 1, 1991

STORM DRAINAGE
MANHOLE

NOT TO SCALE

STANDARD

SD-6