

DEVICE

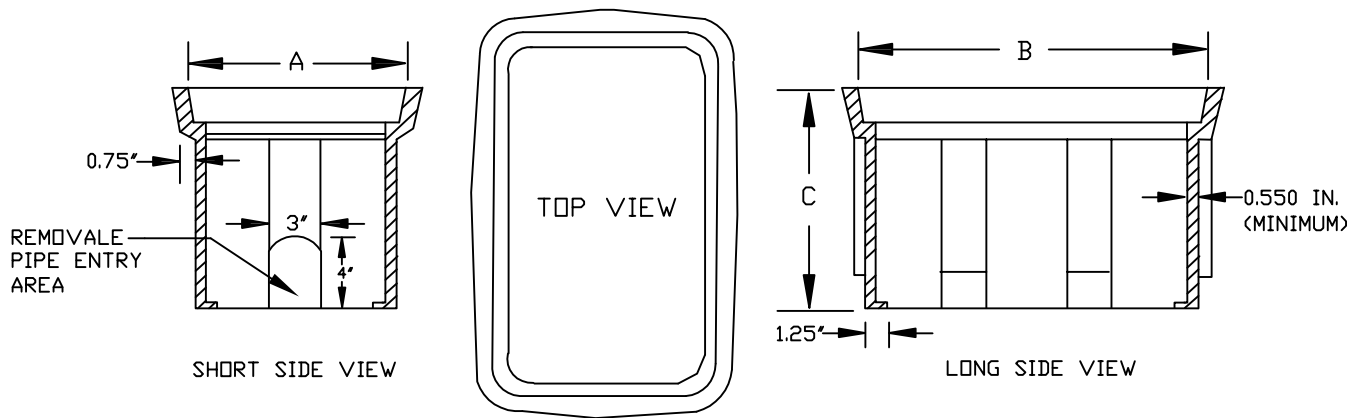
BOX OR VAULT

3/4" METER
1" TO 2" METER

13"X24"X18"DEEP
17"X30"X18"DEEP

METER BOX SIZES (APPROX.) FOR:	A	B	C
3/4" METER	13"	24"	18"
1" TO 2" METER	17"	30"	18"

METER BOXES



NOTES:

3/4" METER BOX - SEE CURRENT APPROVED PRODUCT MANUFACTURERS SHEET FOR APPROVED TYPES (APPENDIX A)

1" & 2" METER BOX - SEE CURRENT APPROVED PRODUCT MANUFACTURERS SHEET FOR APPROVED TYPES (APPENDIX A)

CITY OF SALISBURY, N.C.

STANDARD DETAIL

DATE: MAY 19, 2009

WATER SYSTEMS

NOT TO SCALE

METER BOXES AND VAULTS

STANDARD

W-9A