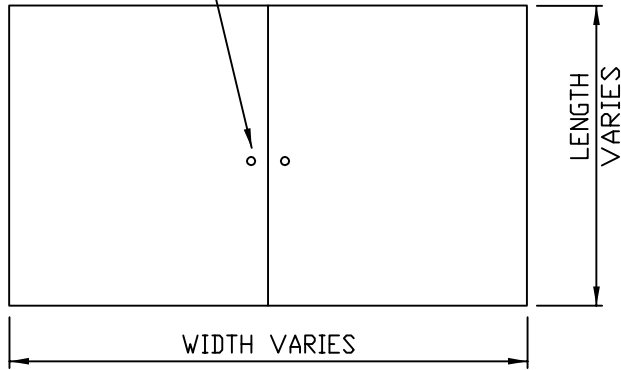


REMOVABLE PLUG FOR  
KEY WRENCH



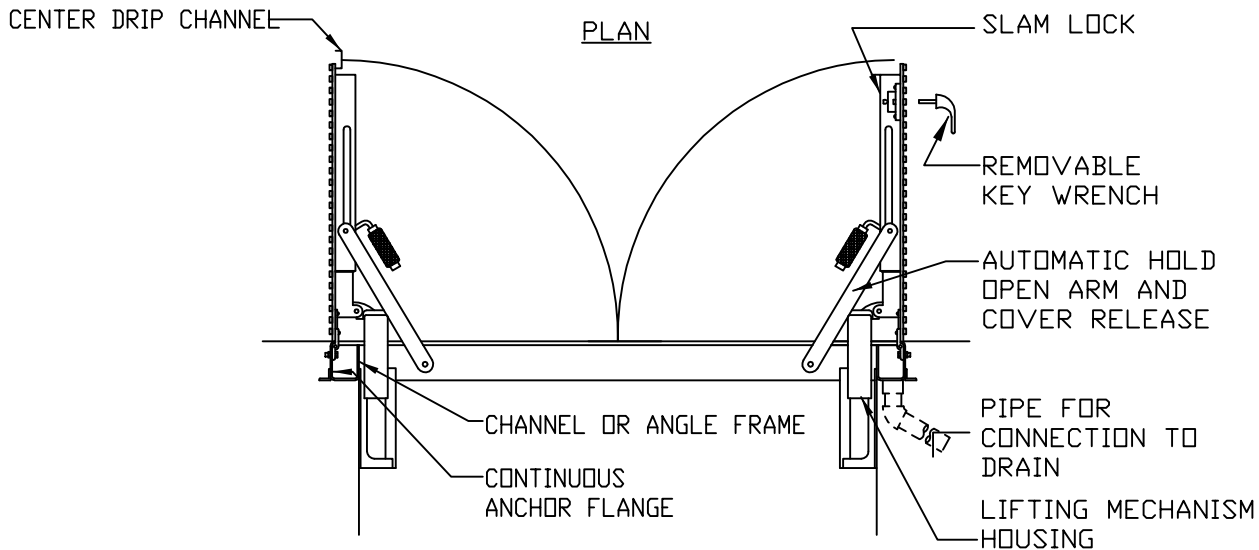
VAULTS SHALL BE INSTALLED BY THE CITY OR THE CITY'S CONTRACTOR.

CONCRETE: 28 DAY COMPRESSIVE STRENGTH F'C = 4,500 PSI.

REINFORCING: ASTM A-615 GRADE 60.

JOINT SEALANT: BUTYL RUBBER SS-S-00210.

PRECAST SUPPORTS AN H2O LOADING AS INDICATED BY AASHTO



NOTES:

1. VAULTS SHALL BE USED TO ENCLOSE METERS LARGER THAN 2". ALL METERS WITH BY-PASS, DETECTOR CHECKS, AND WHEN REQUIRED BY THE UTILITIES MANAGEMENT.
2. VAULTS SHALL BE OF ADEQUATE SIZE AND UNLESS OTHERWISE SPECIFIED PROVIDE A MINIMUM CLEAR DISTANCE OF 2 FEET BETWEEN SIDEWALLS AND COMPONENTS.
3. VAULT LIDS SHALL BE LARGE ENOUGH TO PROVIDE PASSAGE OF PERSONNEL & EQUIPMENT BUT IN NO CASE SMALLER THAN 30" WIDE & 30" LENGTH. VAULT LIDS SHALL BE ALUMINUM WITH CHANNEL OR ANGLE FRAMING, SLAM LOCK, AND SAFETY CHAINS.
4. VAULT LIDS SHALL BE BILCO TYPE J, US FOUNDARY APD 300 TYPE ALUMINUM ACCESS DOOR OR APPROVED EQUAL. DOORS SHALL BE SINGLE OR MULTIPLE LEAF & EACH LEAF SHALL HAVE LIFT ASSIST. DOORS SHALL BE EASILY LIFTED BY ONE PERSON. THE LATCH SHALL HAVE A REMOVABLE KEY WRENCH. DOORS SHALL BE DESIGNED FOR THE TRAFFIC LOADS WHICH WILL BE ENCOUNTERED.
5. VAULTS SHALL BE PRECAST (NEW INSTALLATION) OR CAST IN PLACE (FOR VAULT REPAIRS), AND DESIGNED FOR APPROPRIATE DEPTH & STRESSES.
6. VAULTS SHALL BE PIPE DRAINED TO THE NEAREST LOW POINT OR 2 (4") HOLES CORED IN THE FLOOR AT OPPOSITE CORNERS DIAGONALLY. IF THIS IS NOT POSSIBLE OR REASONABLE AS APPROVED BY THE UTILITIES DIRECTOR, A 30"SQ X 1' DEEP SUMP SHALL BE PROVIDED IN THE FLOOR OF THE VAULT. FLOOR SHALL BE SLOPED TO EITHER THE FLOOR DRAIN OR THE SUMP. VAULT SHALL HAVE MINIMUM 6" OF WASHED STONE UNDERNEATH.

CITY OF SALISBURY, N.C.

STANDARD DETAIL

DATE: JANUARY 1, 1991

AMENDED: MAY 19, 2009

WATER SYSTEMS  
VAULTS

NOT TO SCALE

STANDARD

W-8