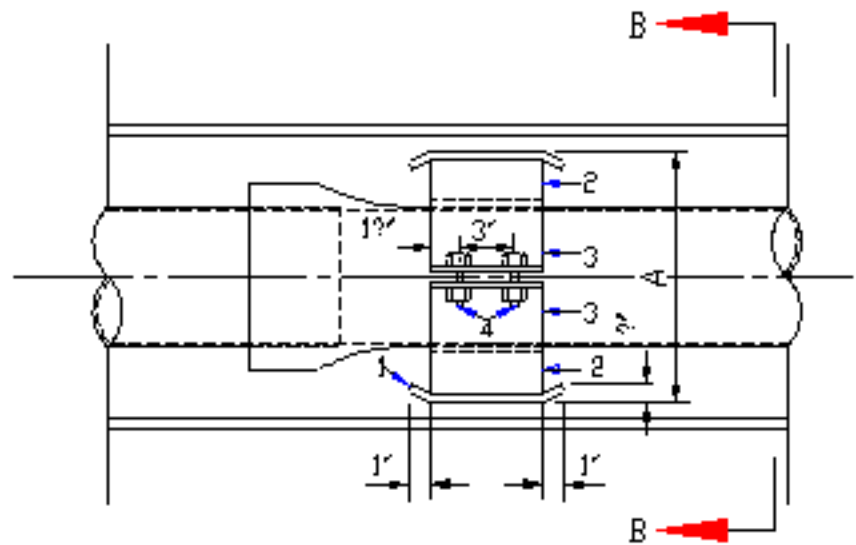


SECTION A-A



SECTION B-B

CARRIER PIPE		CASING PIPE			PIPE SUPPORT ASSEMBLY MARK NUMBERS				DIMENSIONS		
ID	OD	OD	H/WY	R/R	1	2	3	4	A	B	C
4"	4.80"	12.75"	0.188"	0.250"	8" x 2" x ?"	6" x 1" x 1"	6" x ?"	??	10.90"	1"	?"
6"	6.90"	12.75"	0.188"	0.250"	8" x 2" x ?"	6" x 1" x 1"	6" x ?"	??	10.90"	1"	?"
8"	9.05"	16.00"	0.250"	0.281"	8" x 2" x ?"	6" x 2" x ?"	6" x ?"	??	14.05"	1"	?"
10"	11.10"	18.00"	0.250"		8" x 2" x ?"	6" x 2" x ?"	6" x ?"	??	16.10"	1"	?"
12"	13.20"	20.00"	0.250"	0.344"	8" x 2" x ?"	6" x 1" x 1"	6" x ?"	??	17.70"	1"	?"
14"	15.20"	24.00"	0.250"		8" x 3" x ?"	6" x 2" x ?"	6" x ?"	??	21.80"	2"	1"
16"	17.40"	30.00"	0.312"	0.469"	8" x 3" x ?"	6" x 4" x 1"	6" x ?"	??	27.40"	3"	1"
18"	19.50"	30.00"	0.312"		8" x 3" x ?"	6" x 3" x 1"	6" x ?"	??	27.50"	3"	1"
20"	21.60"	30.00"	0.312"		8" x 3" x ?"	6" x 2" x 1"	6" x ?"	??	27.60"	3"	1"
24"	25.80"	36.00"	0.375"		8" x 4" x ?"	6" x 2" x 1"	6" x ?"	??	33.05"	3"	1"
30"	32.00"	42.00"	0.469"		12" x 4" x 1"	10" x 2" x ?"	10" x ?"	??	38.75"	3"	1"
36"	38.30"	48.00"	0.500"		12" x 4" x 1"	10" x 2" x ?"	10" x ?"	??	45.05"	3"	1"

CITY OF SALISBURY, N.C. STANDARD DETAIL

DATE: JANUARY 1, 1991

PIPELINE INSTALLATION
PIPE SUPPORT ASSEMBLY

NOT TO SCALE

STANDARD

P-6