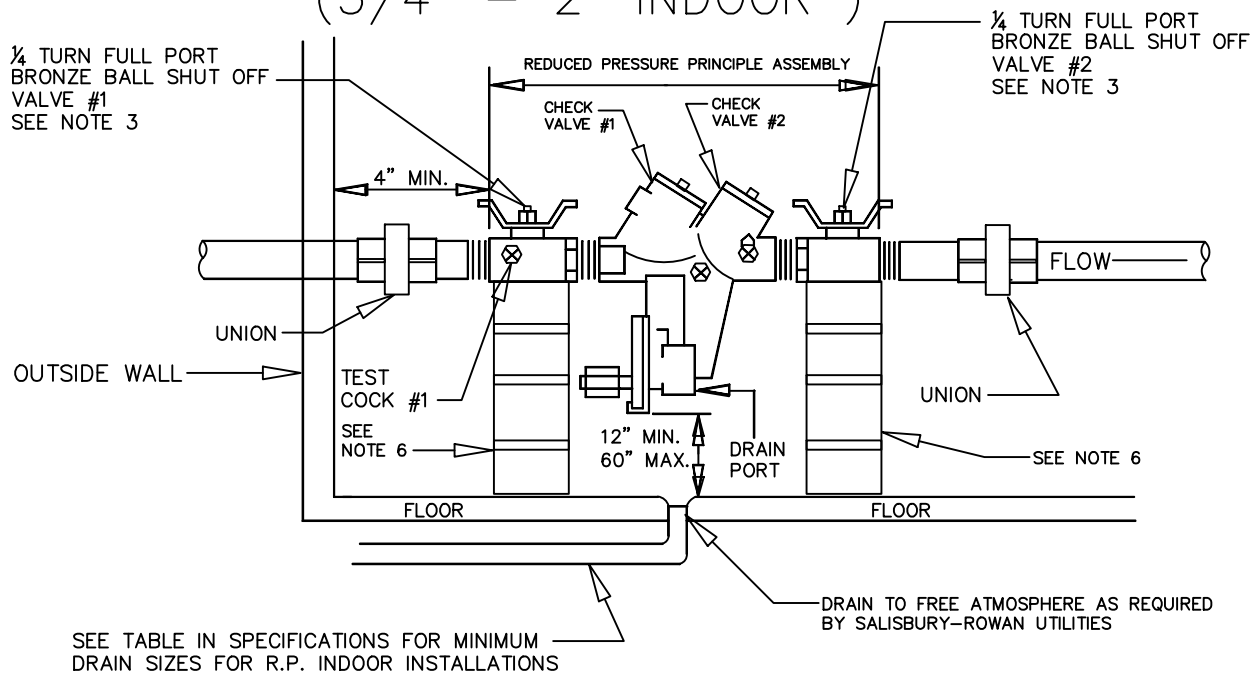
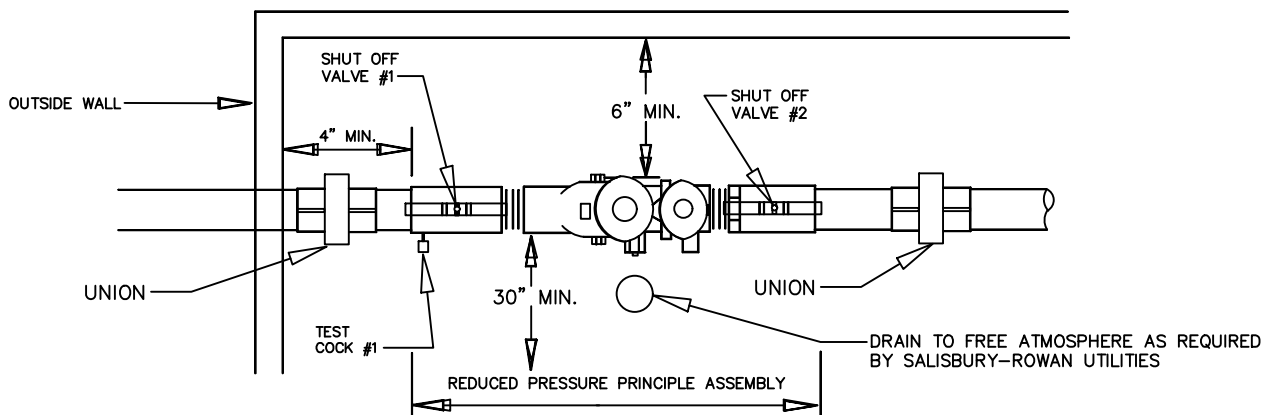


# REDUCED PRESSURE PRINCIPLE ASSEMBLY (RP) (3/4" - 2" INDOOR)



ELEVATION VIEW



PLAN VIEW

**NOTES:**

1. THE 3/4" - 2" RP MUST CONFORM TO SALISBURY-ROWAN UTILITIES STANDARDS FOR BACKFLOW PREVENTION ASSEMBLIES.
2. (BACKFLOW ASSEMBLY MUST BE INSTALLED BEFORE SERVICE LINE IS CONNECTED TO ANY OTHER PIPES, EXCEPT AS AUTHORIZED BY THE WATER PURVEYOR.) WATER LINE MUST BE EXPOSED FOR INSPECTION FROM METER TO BACKFLOW PREVENTER.
3. SALISBURY-ROWAN UTILITIES APPROVED 3/4" - 2" RP INCLUDES SHUT OFF VALVES #1 AND #2 AS PART OF THE ASSEMBLY. NO SUBSTITUTIONS SHALL BE PERMITTED.
4. TEST COCK #1 SHALL BE UPSTREAM OF SHUT OFF VALVE #1 AND IS PART OF THE APPROVED ASSEMBLY. ALL TEST COCKS MUST BE ON THE OUTSIDE OR TOP. ASSEMBLIES SHALL BE INSTALLED UPRIGHT AND IN THE HORIZONTAL POSITION.
5. FIRE LINE BACKFLOW PREVENTION ASSEMBLY SHALL HAVE HEAT & TAMPER SWITCHES WITHIN THE PROTECTIVE ENCLOSURE.
6. SUPPORT FOR THE ASSEMBLY SHALL BE DESIGNED BY THE OWNER AS REQUIRED.
7. A STRAINER IS RECOMMENDED ON THE INLET SIDE TO PREVENT TRASH & DEBRIS FROM FOULING THE RP.
8. NO STRAINER IS ALLOWED ON A BACKFLOW PREVENTION ASSEMBLY FOR A FIRE LINE SERVICE.
9. INDOOR INSTALLATION SHALL BE PERMITTED IN CASES WHERE ADEQUATE SPACE FOR THE BACKFLOW PREVENTION ASSEMBLY IS NOT AVAILABLE OUTSIDE. SALISBURY-ROWAN UTILITIES SHALL REVIEW ON A CASE BY CASE BASIS.
10. AN AIR-GAP DRAIN IS RECOMMENDED TO REDUCE SPLASHING OF MINOR DISCHARGE FROM THE RELIEF VALVE DRAIN PORT.

CITY OF SALISBURY, N.C.	STANDARD DETAIL	DATE: OCTOBER 17, 2006 AMENDED: FEBRUARY 3, 2009
STANDARD DETAIL BACKFLOW PREVENTION RP 3/4" - 2" INDOOR		NOT TO SCALE
		STANDARD                      BF-2