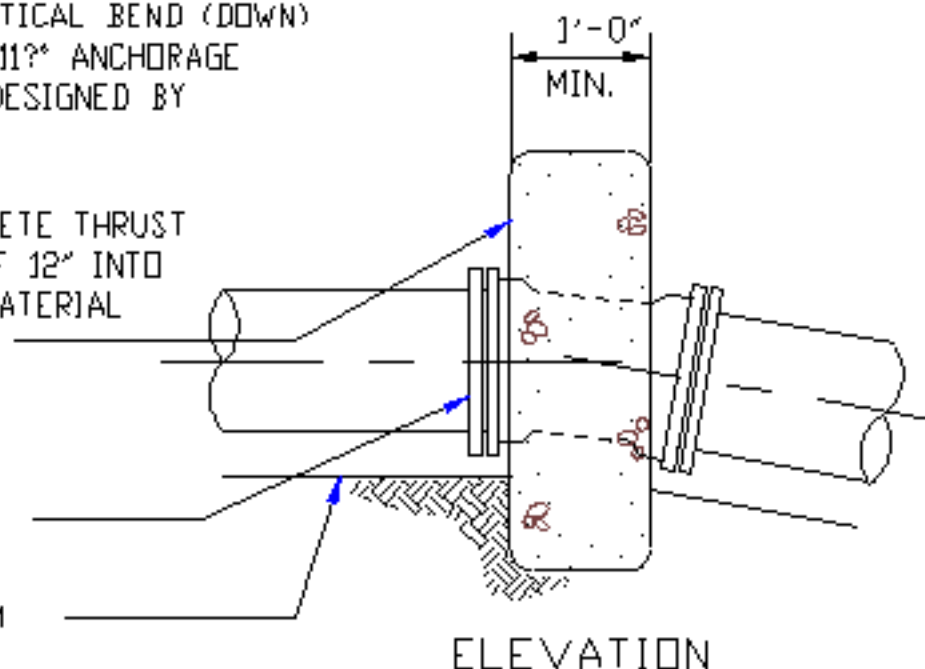


NOTE: FOR VERTICAL BEND (DOWN)  
IN EXCESS OF 11° ANCHORAGE  
SHALL BE AS DESIGNED BY  
AN ENGINEER.

TYPICAL CONCRETE THRUST  
COLLAR. MIN. OF 12" INTO  
UNDISTURBED MATERIAL  
ALL AROUND.

TYPICAL BEND

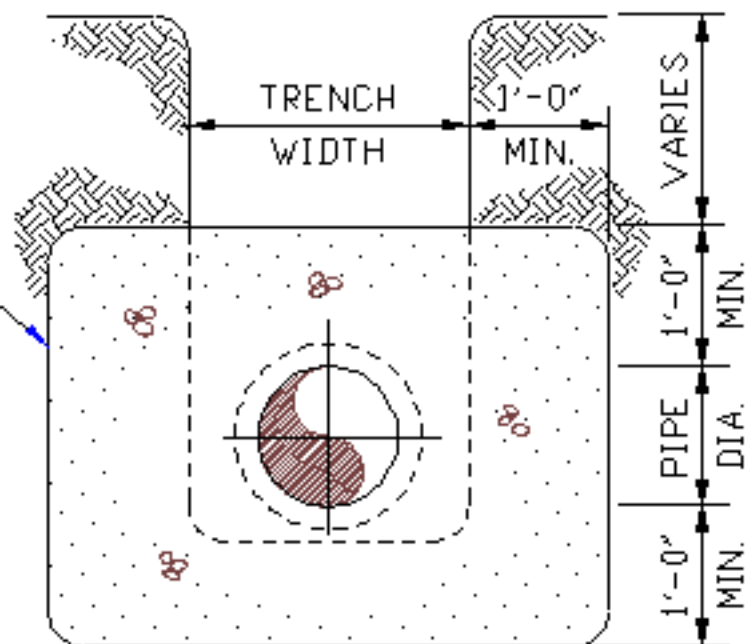
TRENCH BOTTOM



ELEVATION

TYPICAL CONCRETE  
THRUST COLLAR. MIN.  
OF 12" INTO  
UNDISTURBED SOIL.

RESTRAINED JOINT PIPE  
MAY BE USED IN PLACE  
OF THRUST COLLAR.



CITY OF SALISBURY, N.C. STANDARD DETAIL

DATE: JANUARY 1, 1991

WATER SYSTEMS  
THRUST COLLAR

NOT TO SCALE

STANDARD

W-2